

ABSTRACT

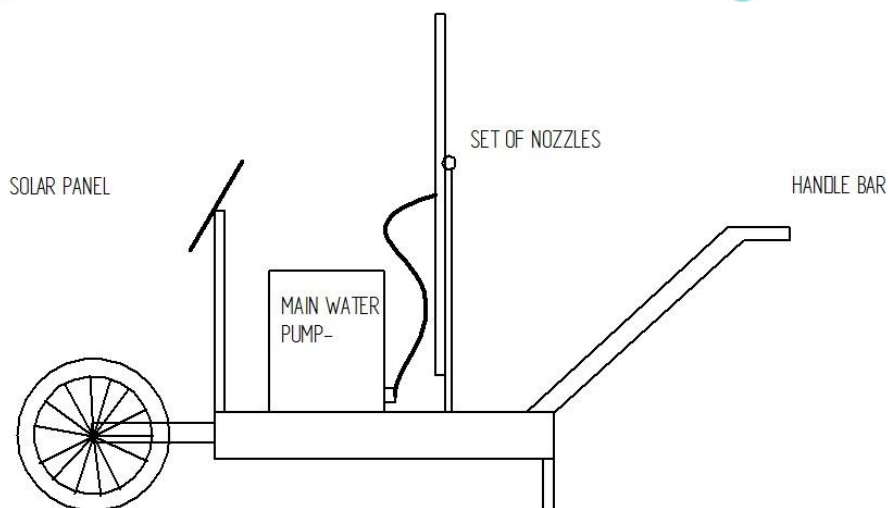
FABRICATION OF SOLAR OPERATED PESTICIDE SPRINKLER/SPRAYER

Since the technology is not developed in agricultural. Main aim of this project is to develop technology to save farmers time and money and to increase the production rate and their profit. The small 4 wheel kart or vehicle which is electronically operated by a wireless remote which runs on power source as a DC battery. One vertical arm is attached at center of vehicle and one horizontal arm at top of the vertical arm. Nozzle is fitted to these arms so that it can spray pesticides both the sides. As more no of nozzle are there hence spraying is done rapidly and time and money is saved.



SHIELD TECHNOLOGIES
Leading Innovation

Block diagram



NOTE-2021 Latest Best Mechanical Project ideas and technical guidelines can be provided

CONTACT FOR FULL SYNOPSIS  +91 7892151234

#2232, 16TH B CROSS, SECTOR B, YELAHANKA NEW TOWN, BANGALORE-560064
Ph: +91 7892151234